

avidsen

3
YEARS

WARRANTY

HomeCam Dual 2 3MP MOTORISED IP WIFI CAMERA

Ref. 127179



www.avidsen.com

SAFETY INSTRUCTIONS

OPERATING PRECAUTIONS

- The camera must not be installed where the lens filter may be vulnerable to scratching and dirt.
- Do not expose the lens to direct sunlight or any reflected light source.
- Do not daisy-chain extension cords and/or multi-socket adapters.
- Do not install near acidic chemicals, ammonia or sources of toxic gases.
- The installation and use of the camera must comply with local laws.
- The motors must not be moved by hand.

MAINTENANCE AND CLEANING

- Always unplug the product from the mains before carrying out any maintenance.
- Never use abrasive or corrosive substances to clean the product.
- Use a soft, slightly damp cloth.
- Never use an aerosol to spray the product as this may damage the internal workings.

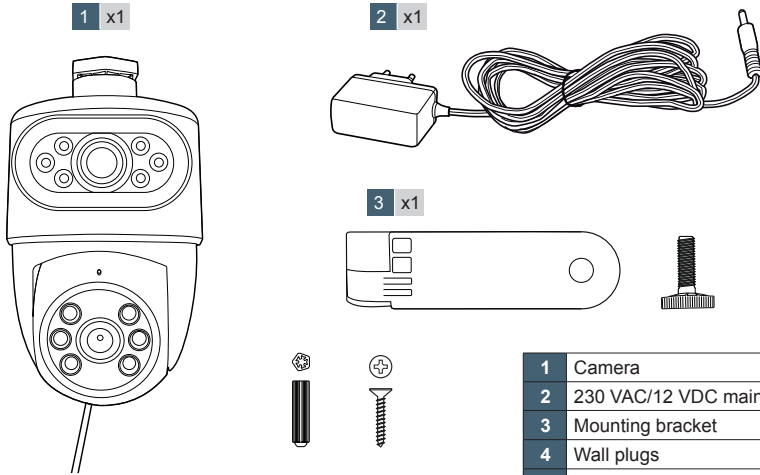
RECYCLING



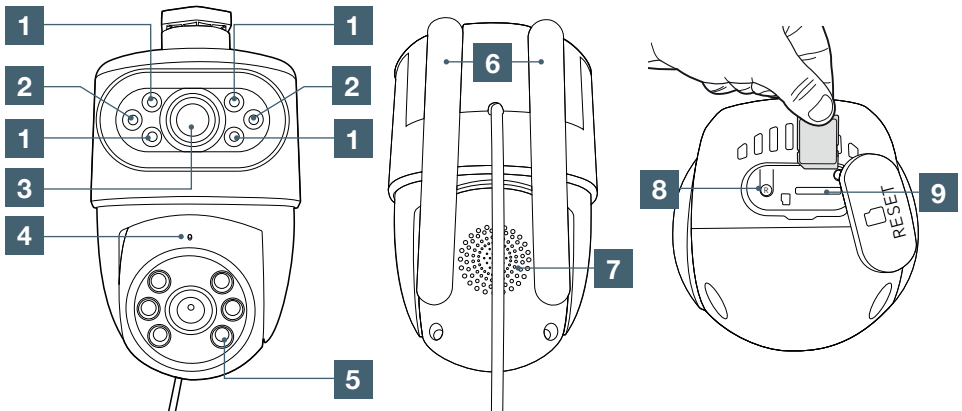
■ This symbol means that devices no longer in use should not be disposed of with household waste. The hazardous substances they may contain can be harmful to health and the environment. Return the equipment to your local distributor or use the recycling collection service provided by your local council.



1 - KIT CONTENTS



2 - CAMERA



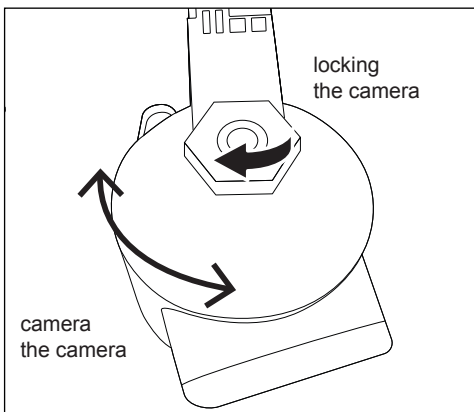
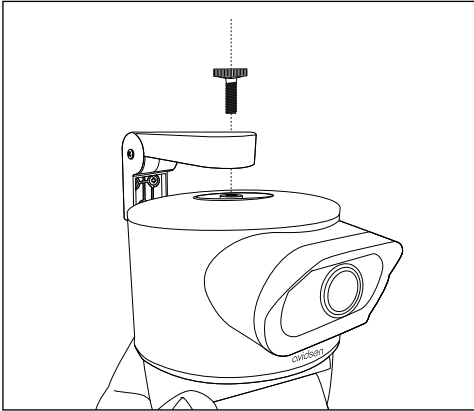
1	infrared light for night vision	5	Light and infrared light for night vision
2	lighting	6	Antennas
3	Fixed camera lens	7	Loudspeaker
4	Microphone location	8	Reset button
		9	SD memory card slot (not included, max 128 GB)

OPERATION

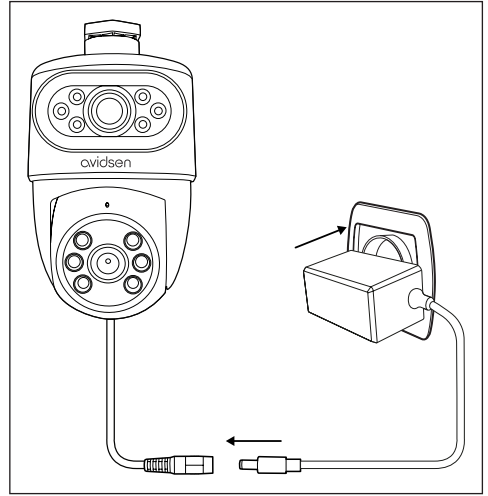
This camera will allow you to monitor your home and will alert you directly on your smartphone if motion is detected. You can also make photo and video recordings with this device using a micro SD card (not included).

INSTALLING THE CAMERA

Position the camera and install the mounting screw; at this stage it is possible to angle the fixed camera, lock the screw firmly. You can always unscrew to angle the camera differently when it is connected.

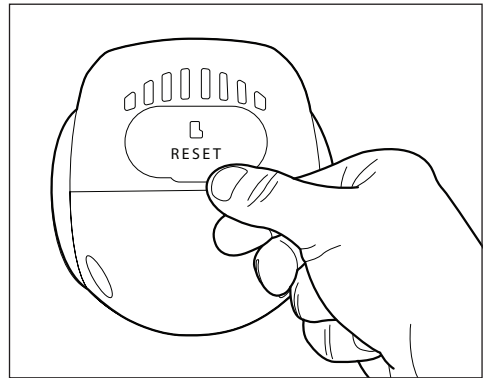


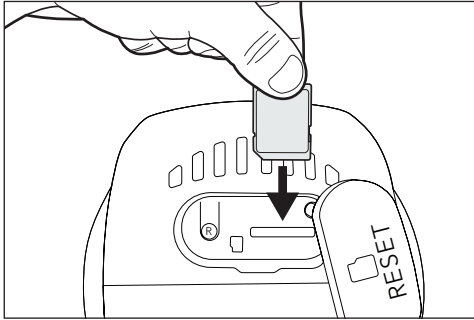
Plug the camera into an electrical socket. The camera turns on its white lights and plays a tune. Lastly, the camera goes through a motor drive self-learning process, horizontally and then vertically. The camera indicator light flashes blue rapidly.



INSTALLING THE MICRO SD CARD

Your camera has a micro SD card slot, which gives it an internal storage memory. The maximum size is 128 GB. This card is optional, but required if you wish the camera to record independently.





INSTALLING THE MOBILE APP AND CREATING AN ACCOUNT

Once the camera is connected, follow the instructions below to pair it. Download the AvidsenHome app from the Play Store or App Store.



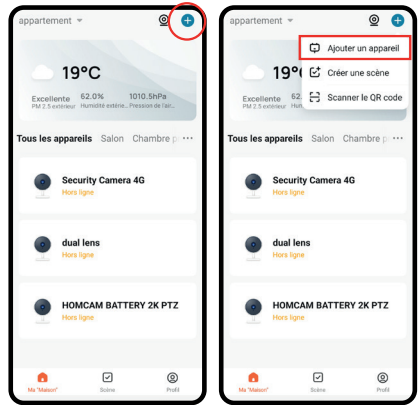
CONNECTING THE CAMERA

If you have more than one item to pair (plugs, cameras, other bulbs), switch on only one item at a time.

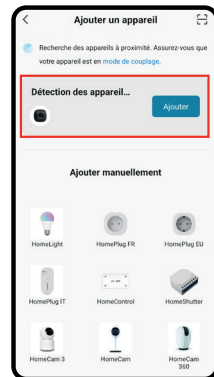
The following information may vary depending on app updates.

A message may also appear during installation indicating that the WiFi password and SSID are too long. Make sure your router SSID and password are fewer than 20 characters long.

To start the installation, press **AJOUTER (ADD)**. Bluetooth must be activated on your phone or tablet.



The product will appear at the top of the screen, press **AJOUTER (ADD)**.

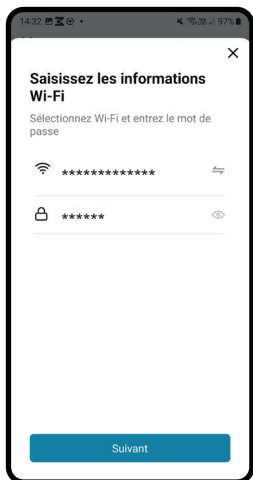


Select your WiFi network.

(Please note: your smartphone must be connected to the same WiFi network the camera will be connected to)

- If the application does not detect the camera, perform an electrical reboot of the camera.
- If the camera remains invisible, go to the settings on your smartphone and check that all the authorisations for the Avidsen Home application have been granted.

Enter your password (WiFi key) and click on **SUIVANT (NEXT)**.



Please wait while the connection procedure takes place. This can take a few minutes.

If the information transmitted is correct, the camera will beep 3 times, indicating that it is connected to the WiFi network.

In the event of a connection error:

- Wrong WiFi key: No reaction from the camera. The application will say **“Echec de l’ajout de l’appareil” (Failed to add device)**.

Click on the cross at the top left and continue uploading the camera, having reset the camera first.

Your camera has been successfully paired. You can set a name by tapping the pencil and pressing **TERMINE (Finished)**.

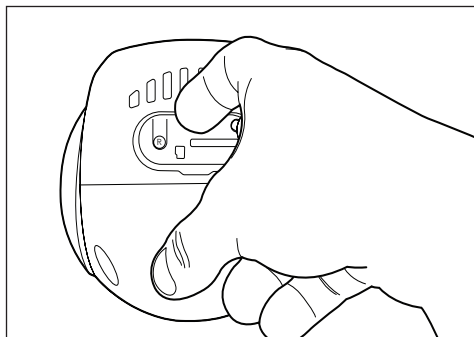
RESETTING THE CAMERA

The following instructions may help you if you have any problems during the pairing procedure:

To **reset** the camera, press the **RESET** button for 5 seconds. The camera will beep to confirm that the operation was successful. After a few seconds, the camera will play its start-up melody.

Make sure the camera’s blue indicator light is flashing rapidly. You can then start the procedure for putting the camera online.

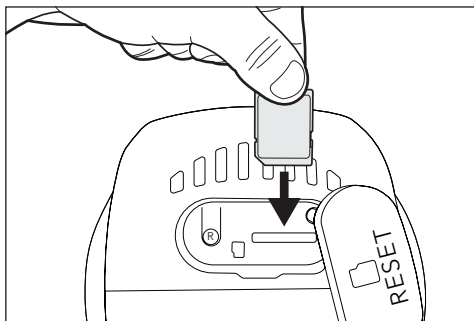
Please note that a reset does not delete the camera from the application.



Deleting the camera from the app resets it. The camera will beep a few seconds after it has been deleted from the app.

RECORDING WITH A MICRO SD CARD

A micro SD card is required if you wish to create a continuous recording or a recording triggered by motion detection.



Insert the SD card into the camera, then go to the SD card settings. Click on **Formatage de la carte SD (Format SD card)** to initialise the SD card.

TECHNICAL FEATURES

Resolution	2 x 2K 3MP
Technical features	Power supply: 12 V/1 A Real-time video feed Communication protocol: WiFi 4 2.4 GHz (2412 MHz - 2472 MHz) Encryption: WPA-PSK/WPA2 Angles of rotation: vert. 90° hori. 355° Also compatible with WPA2/WPA3-Personal but not with WPA3-Personal
Audio	Two-way
Night vision	Yes
Sensor and lens	1/4" CMOS
Viewing angle	80°
Shutter speed and compression	1/25 – 1/100,000 per second - H264
Siren	80 dB
Light	150 lumens
Storage	Yes, on micro SD card (128 GB max, not included)
Maximum consumption	12 W max DC 12 V, 1 A
Standby consumption	<2 W
Operating temperature	-20°C +55°C
Dimensions and weight	132 mm x 115 mm x 88 mm - 343 g
Max EIRP	20 dBm

WARRANTY

- This product is guaranteed for parts and labour for 3 years from the date of purchase. Proof of purchase must be retained for the duration of the warranty period.
- The warranty does not cover damage caused by negligence, knocks, or accidents. The parts of this product must not be opened or repaired by any persons not employed by Avidsen. The warranty will be void if the device is tampered with.
- Avidsen undertakes to keep a stock of spare parts for this product throughout the contractual warranty period.

ASSISTANCE AND ADVICE



If you have any problems, check out our tutorials and videos at www.avidsen.com/fr

EXTEND THE EXPERIENCE

Visit www.maisonnic.com and our usual dealers for a full range of spare parts, compatible accessories and smart solutions to enhance your connected ecosystem. Give your installation a new dimension by improving its performance and longevity, while imagining a home that is ever more practical, safe and connected. Perfectly compatible products, designed to meet the demands of modern, efficient and sustainable living. With **Maisonnic** and the **Avidsen** network, your installation can evolve without limit.

EU DECLARATION OF CONFORMITY

Avidsen hereby declares that the equipment designated below:
HomeCam Dual 2 3MP reference 127179 complies with the RED 2/53/EU directive and that its conformity has been assessed pursuant to applicable standards:

Directive 2014/35/EU: (protection of users' health and safety).

- EN62368-1:2020+A11:2020
- EN62311:2020

Directive 2014/30/EU: (protection requirements relating to electromagnetic compatibility).

- EN301489-1 V2.2.3 (2019-11)
- EN301489-17 V3.3.1 (2024-09)
- EN61000-3-2:2019+A1:2021
- EN61000-3-3:2013+A2:2021

Directive 2014/53/EU: (efficient use of the radio spectrum, in order to avoid harmful interference).

- EN300328 V2.2.2 (2019-07)

Tours, 5/06/2026
Alexandre Chaverot, CEO



Séparez les éléments avant de trier



Avidsen
19 avenue Marcel Dassault - ZAC des Deux Lions
37200 Tours - France
www.avidsen.com

EU REGULATION 2023/2854E

Use of data in accordance with REGULATION (EU) 2023/2854		
Type	Audio/video, images, motion detection events, connection status, device configuration	
Format	Collected in JSON format; stored in MySQL tables; exported in XLS format	
Volume	~50MB (depends on bit rate and reporting frequency)	
Is data generated	Continuously (with latency time)	/
	In real time	Only during a user operation or automatic triggers
Where is the data stored	Europe	
Data retention period	1. Real-time activity logs: pseudonymised after 7 days, stored for a maximum of 12 months. 2. Account-level data: stored until the user deletes the account	
How to	Access data	1. In the application: review the app's privacy policy 2. Web: submit a request to https://www.avidSEN.com
	Extract data	
	Delete data	
	Share data	We do not sell, rent or disclose personal data to third parties. Any sharing only takes place with the explicit consent of the user. To find out more: read the privacy policy.
	Stop sharing	1. In the application: review the app's privacy policy 2. Web: submit a request to https://www.avidSEN.com
Data subject's identity (contact details)	https://www.avidSEN.com Address: 19 avenue Marcel Dassault -37200 Tours- FRANCE Contact: hotline@avidSEN.com	